

Search, Ponder, & Pray

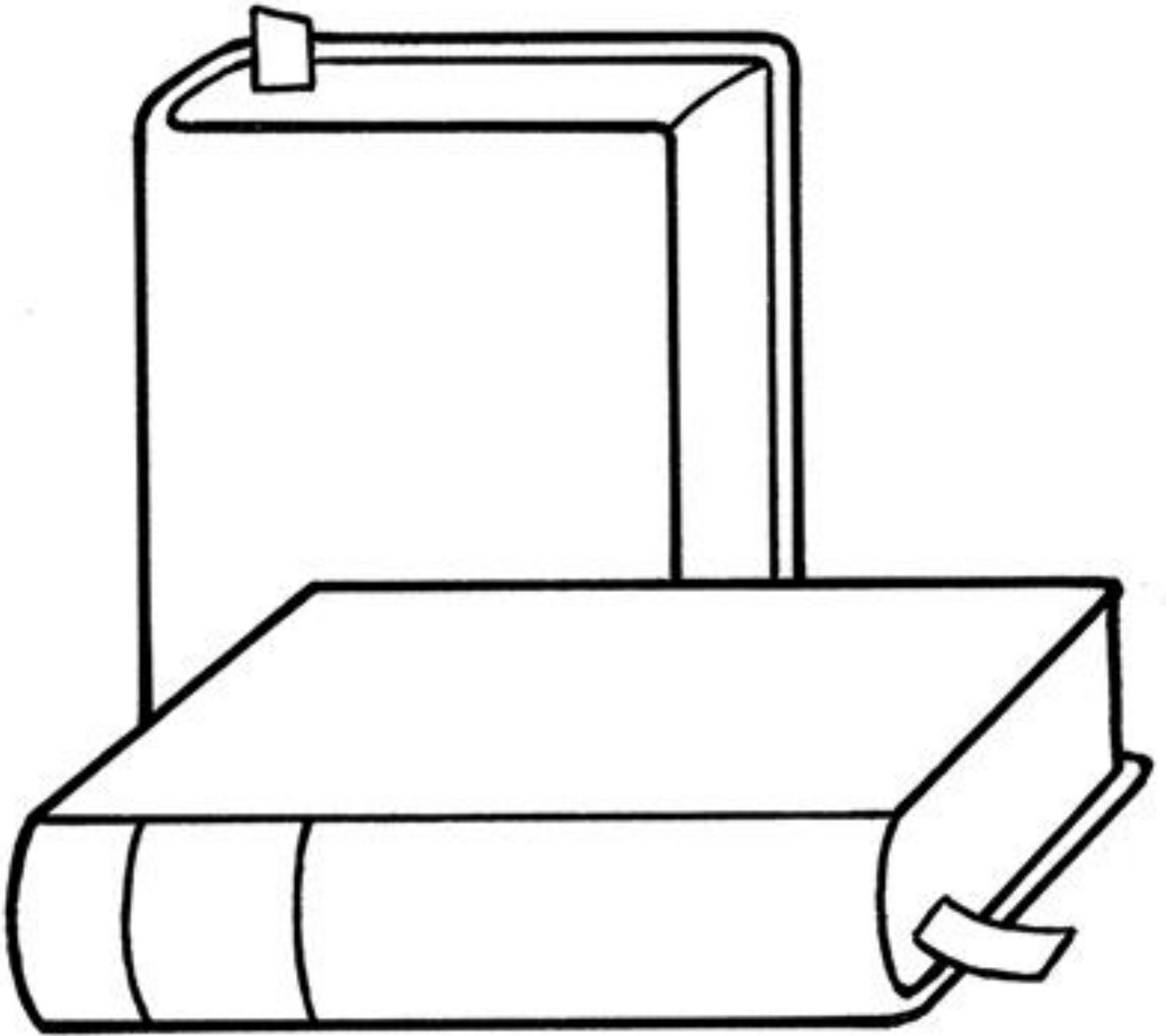
p. 109

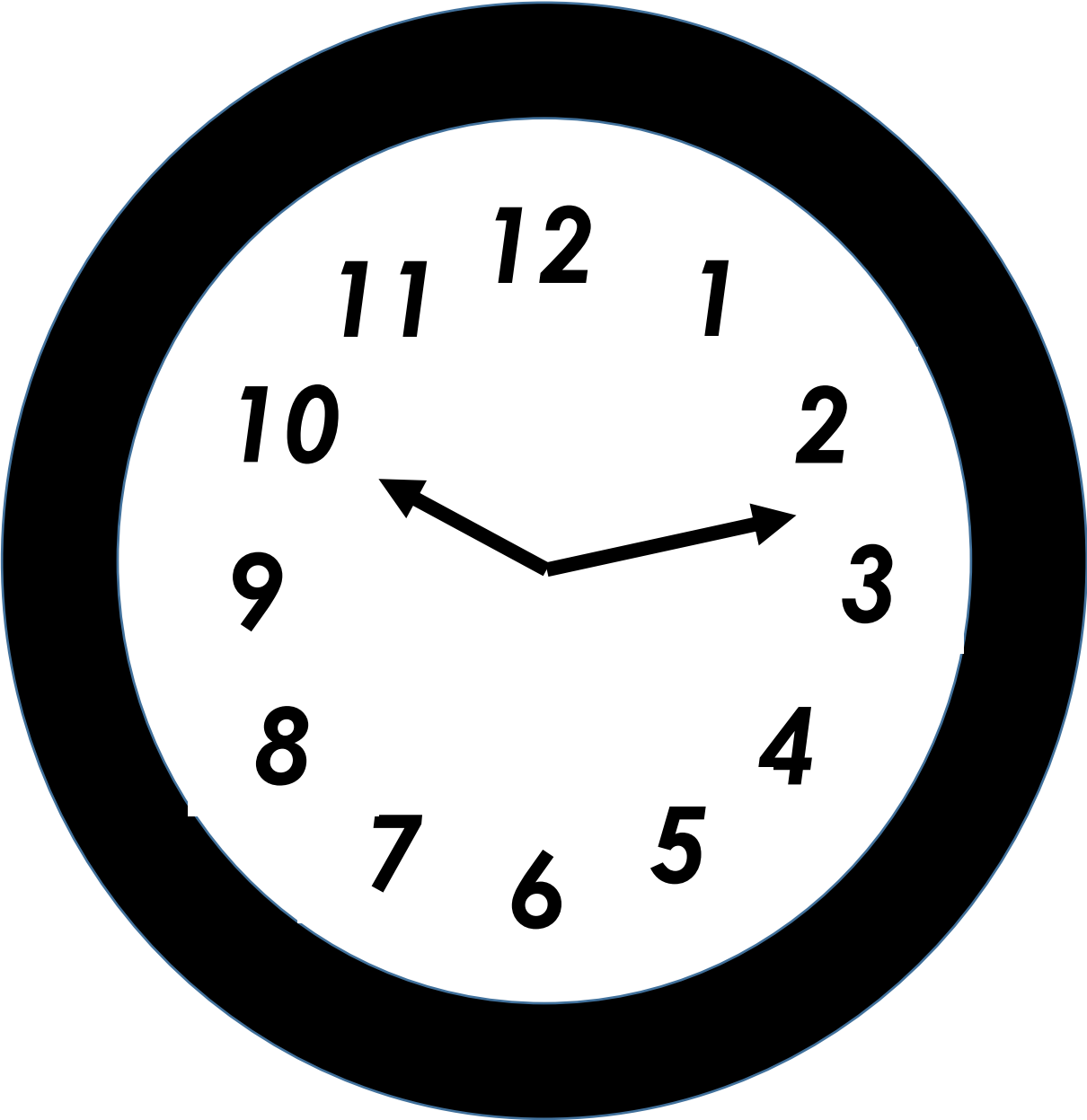
Words: Jaclyn Thomas Milne
Music: Carol Baker Black

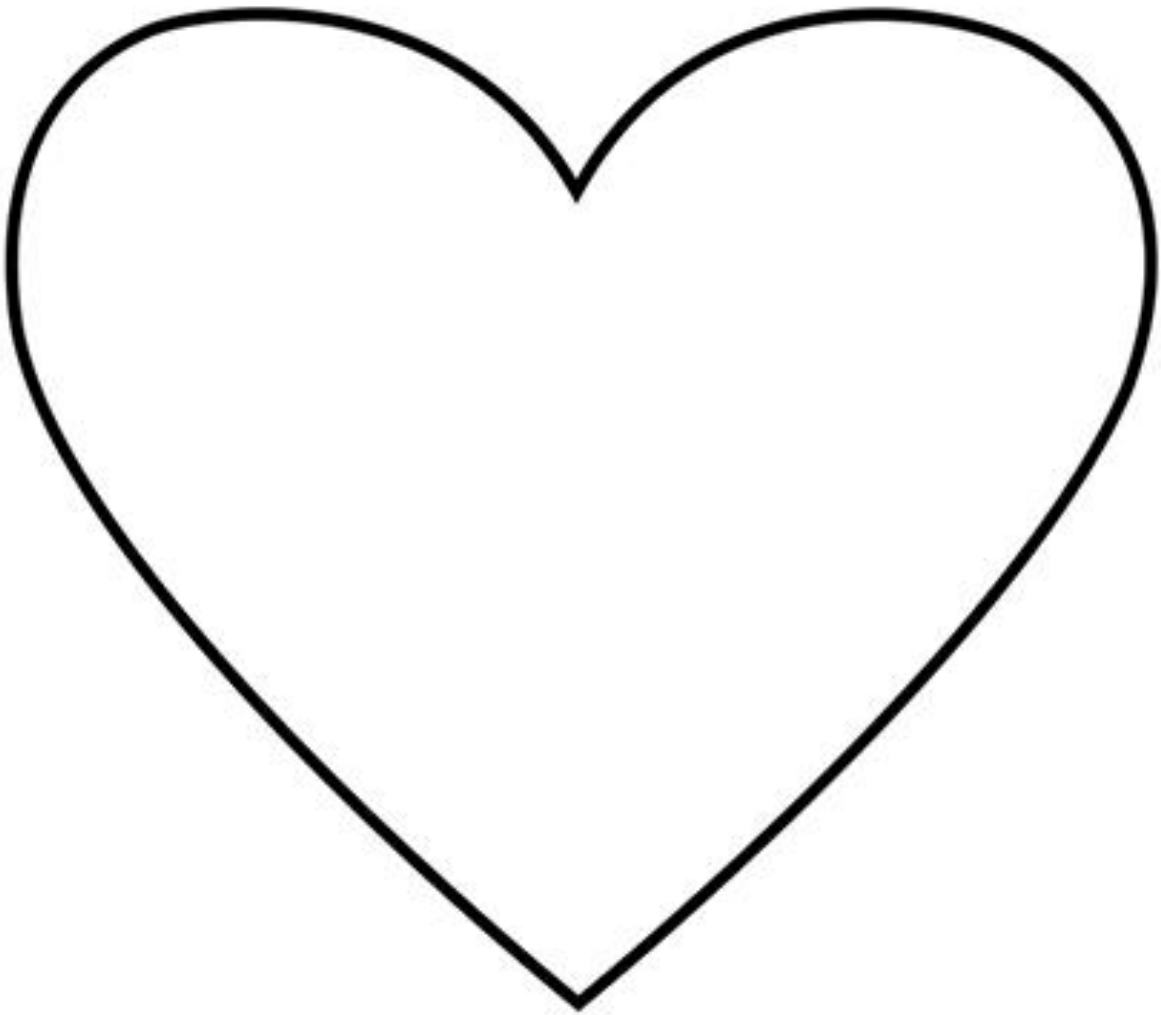
Flipchart Compiled by
Cherice Montgomery

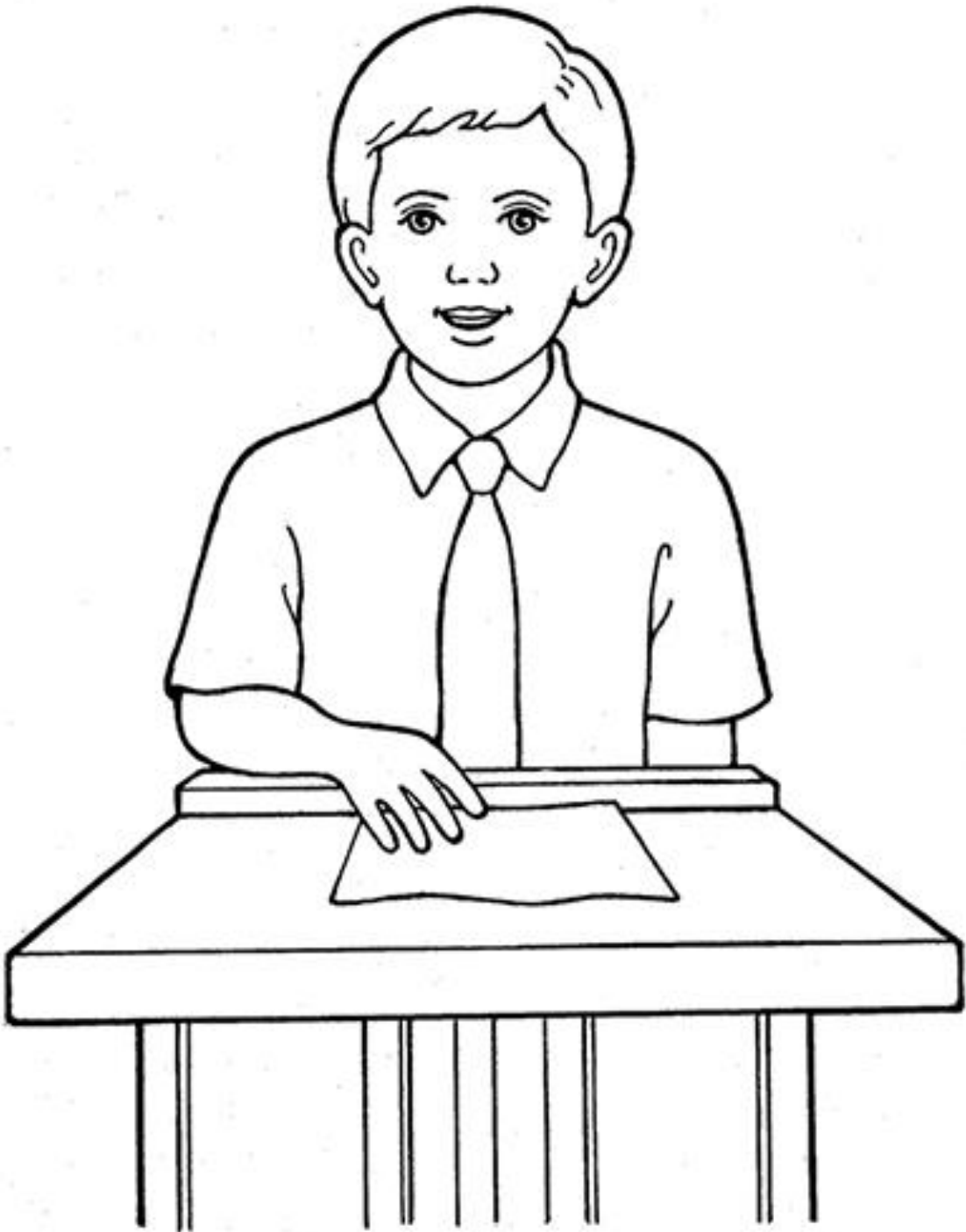
Images from LDS Media Library













A large, irregular thought bubble with a scalloped border is centered on the page. Inside the bubble, the word "ponder" is written in a bold, black, sans-serif font. Below the main bubble, three smaller circles of increasing size are arranged in a diagonal line, leading from the bottom right towards the main bubble, suggesting a trail of thought.

ponder





THE
HOLY
GHOST



know